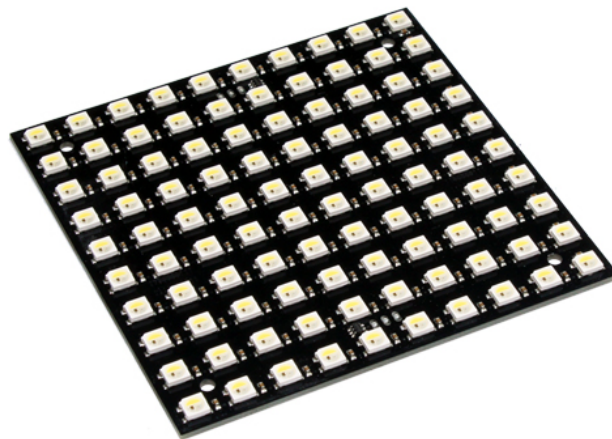


LED-Matrix SK6812 RGBW 10x10

User manual



DMX [®]
4
ALL



For your own safety, please read this user manual and warnings carefully before installation.

Description

The LED-Matrix SK6812 RGBW 10x10 has in total 100 LEDs (Pixel) arranged in a 10x10 grid.

Each LED consists of one red, green, blue and white LED including an internal controlling.

So an individual control of each single LED is possible.
The representation of symbols and letters is feasible by appropriate control.

A pixel pitch of 10mm results in a LED-Matrix size of 100mm x 100mm. Several LED-Matrix elements can be put together easily. Between the elements there is again a pixel distance of 10mm.

The arrangement of the LEDs is always the same orientation. Please be patient by installation and take care of the orientation, also between several LED-Matrix elements.

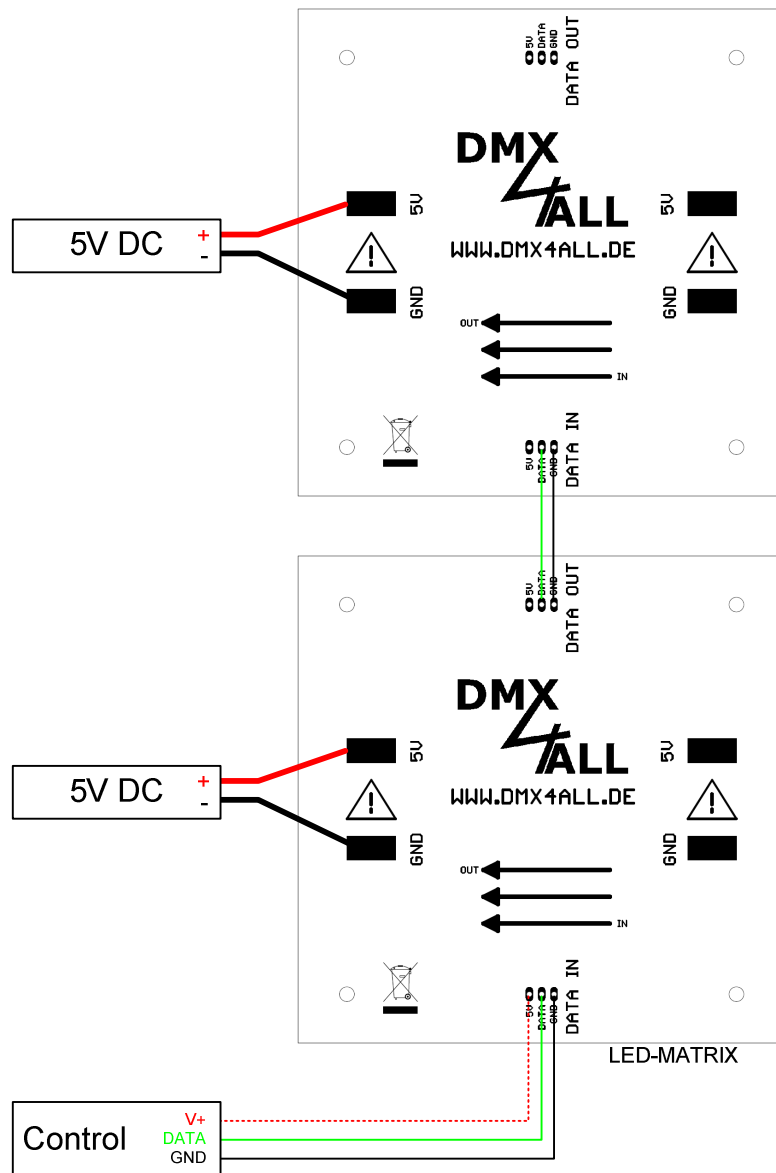
Data sheet

Power supply:	5V
Power consumption:	max. 0,4W per LED
LED:	5050 4in1 RGBW (5500-6000K)
LED Controller:	SK6812
Number of pixel:	100 (10x10)
Brightness steps:	256 per color
Distance between LEDs:	10mm
Input:	3pin solder connection RM2,54
Output:	3pin solder connection RM2,54
Voltage connection:	Soldering pads
Dimensions:	100mm x 100mm

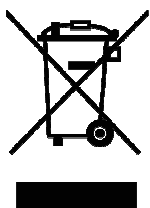
Connection



Please note, the LED-Matrix has one connection input (DATA IN) and one connection output (DATA OUT). **Don't confuse them!** Otherwise there's a risk of damaging the LED-Matrix and/or the controller.



Disposal



Electronical and electronic products must not be disposed in domestic waste. Dispose the product at the end of its service life in accordance with applicable legal regulations. Information on this can be obtained from your local waste disposal company.



DMX4ALL GmbH
Reiterweg 2A
D-44869 Bochum
Germany

Last changes: 20.01.2021

© Copyright DMX4ALL GmbH

All rights reserved. No part of this manual may be reproduced in any form (photocopy, pressure, microfilm or in another procedure) without written permission or processed, multiplied or spread using electronic systems.

All information contained in this manual was arranged with the greatest care and after the best knowledge. Nevertheless, errors are to be excluded not completely. It is pointed out that neither a guarantee nor the legal responsibility or any liability for consequences which are due to incorrect information is assumed. This document does not contain assured characteristics. The guidance and the features may be changed at any time and without previous announcement.