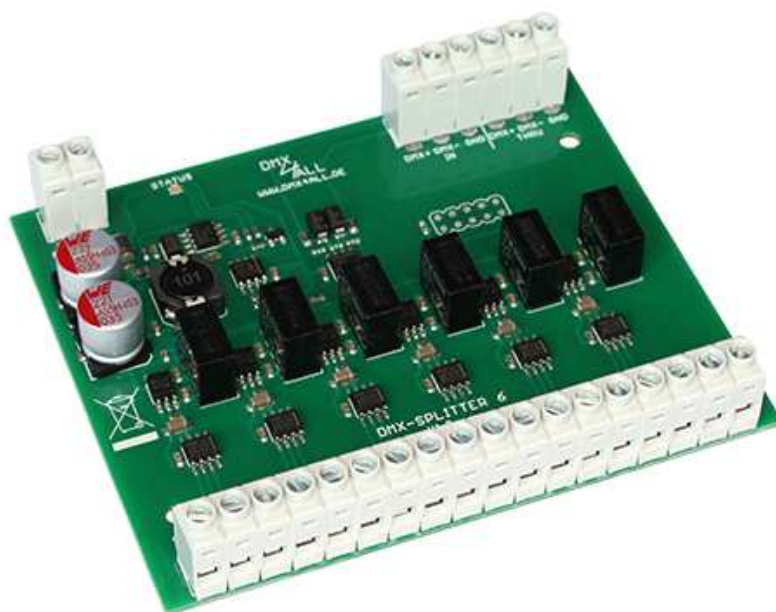


DMX-Splitter 6

User Manual



DMX [®]
4
ALL



For your own safety, please read this user manual and warnings carefully before installation.

Contents

Description.....	3
Data Sheet.....	4
Content	4
Model Overview	5
LED-Display.....	6
Connection	7
Dimensions.....	8
Accessories	9
CE-Conformity	10
Disposal.....	10
Risk-Notes.....	11

Description

The **DMX-Splitter 6** is a compact DMX-Divider with one DMX-Input signal which provides these at six galvanically isolated outputs.

6 galvanically isolated outputs

The DMX-Splitter 6 is a compact DMX-Divider with one DMX-Input signal which provides these at six galvanically isolated outputs.

Extremely light construction

Extremely light DC/DC converters are used for galvanic isolation.

Power supply via one power supply unit

The power supply occurs via one power supply unit. The voltage range is between 8V up to 24V.

Compact design for top hat rail mounting

The DMX-Splitter 6 is suitable for installation in top hat rail mountings with a width of 10,5cm due to its small size.

LED-Display

A multicolor LED clearly indicates the current operating status.

Top hat rail mounting available

Suitable for the DMX Splitter 6 the DIN rail housing 1050 is available as accessory.

Data Sheet

Power supply:	8-24V DC (350mA@12V; 200mA@24V)
Input:	512 Channels
Output:	6x 512 Channels galvanically isolated
Status Display:	Multi-color LED
Connections:	Screw terminals
Dimensions:	99mm x 82mm

Content

- 1x DMX Splitter 6
- 1x Quick manual german and english

Model Overview

The different models of the **DMX-Splitter** series provide a different range of functions and are available in different versions.

Model	DMX-Splitter 4	DMX-Splitter 4 RDM	DMX-Splitter 4 RDM+	DMX-Splitter 6	DMX-Splitter 6+
Version	Board	Board	Mounted Device	Board	Mounted Device
Protocol	DMX512	DMX512 / RDM	DMX512 / RDM	DMX512	DMX512
Power supply	8-24V DC	8-24V DC	8-24V DC	8-24V DC	8-24V DC
Outputs	4	4	4	6	6
Touch control	✗	✗	✓	✗	✗
RDM	✗	✓	✓	✗	✗
RDM-Filter	✗	✓	✓	✗	✗
RGB Status LED	✗	✓	✓	✓	✓
RGB DMX LED	✗	✓	✓	✗	✗
RGB RDM LED	✗	✓	✓	✗	✗
Disconnectable LED Display	✗	✓	✓	✗	✗
Top hat rail mounting	✗	✗	✓	✗	✓

✗ Not available in this version

✓ Available in this version

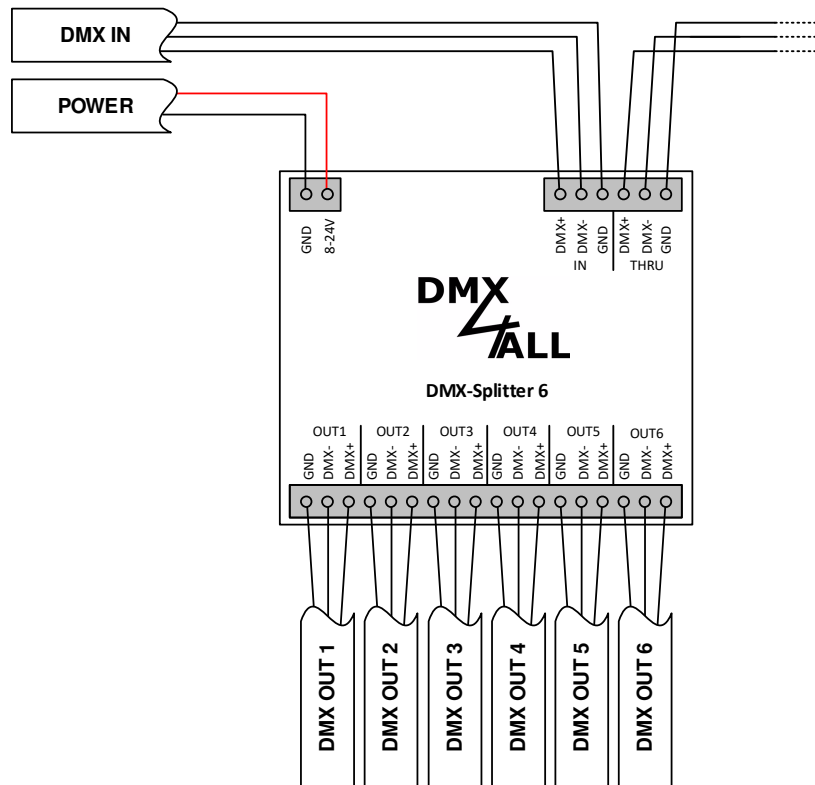
LED-Display

The DMX Splitter 6 has a multicolored LED that indicates the operating status.

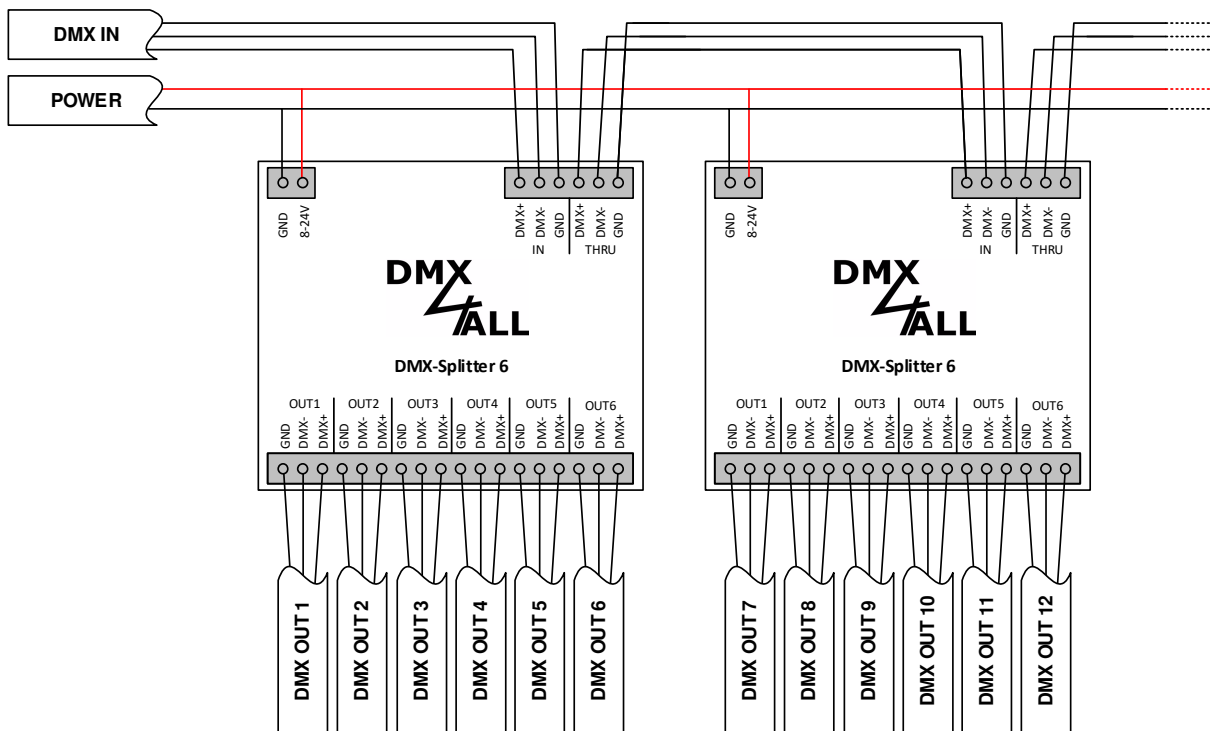
STATUS LED

OFF	No power supply
GREEN	Device is ready
RED	No DMX input signal

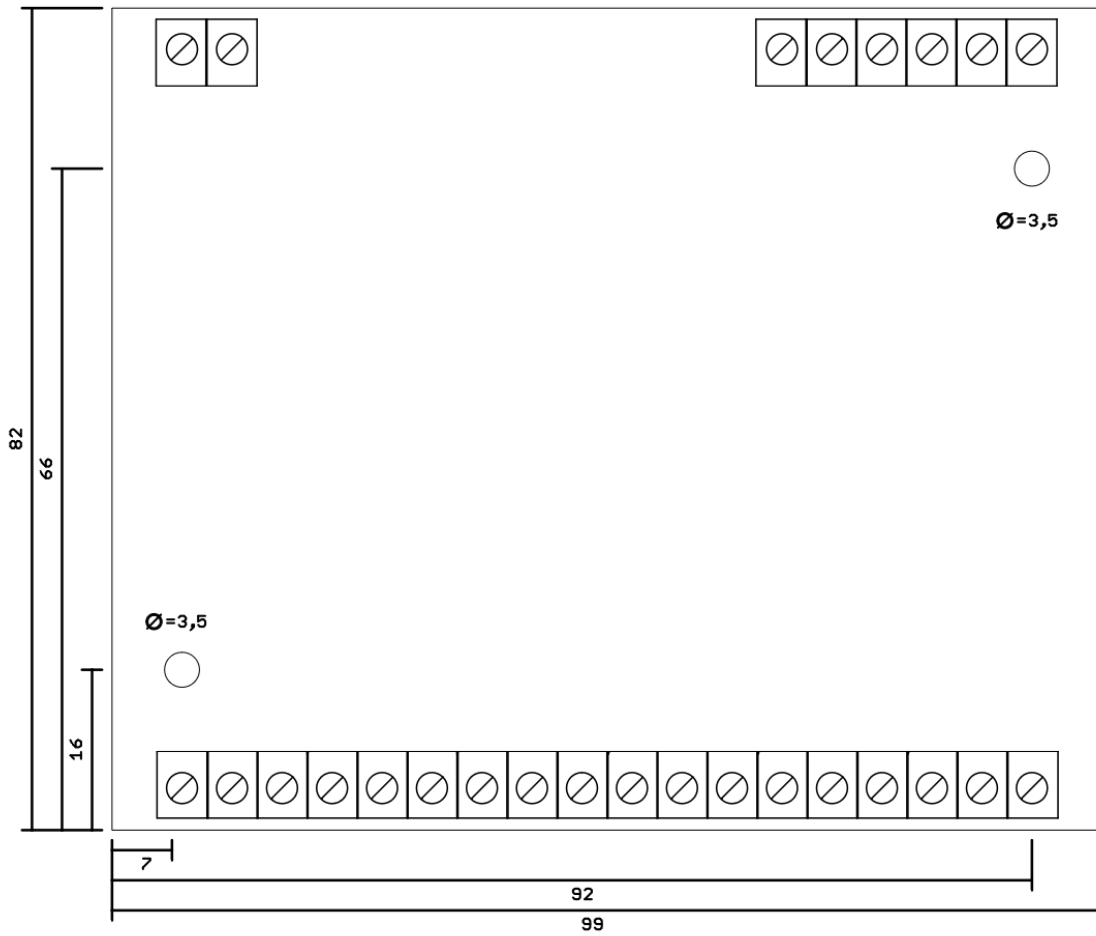
Connection



If more than 6 DMX-Outputs are needed, several DMX-Splitter 6 can be combined as follows:



Dimensions



All details in mm

Accessories

Top hat rail mounting 1050



Power supply 12V

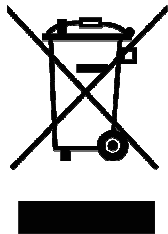


CE-Conformity



This assembly (board) is controlled by a microprocessor and uses high frequency. In order to maintain the properties of the module with regard to CE conformity, installation into a closed metal housing in accordance with the EMC directive 2014/30/EU is necessary.

Disposal



Electronical and electronic products must not be disposed in domestic waste. Dispose the product at the end of its service life in accordance with applicable legal regulations. Information on this can be obtained from your local waste disposal company.

Warning



This device is no toy. Keep out of the reach of children. Parents are liable for consequential damages caused by nonobservance for their children.

Risk-Notes



You purchased a technical product. Conformable to the best available technology the following risks should not be excluded:

Failure risk:

The device can drop out partially or completely at any time without warning. To reduce the probability of a failure a redundant system structure is necessary.

Initiation risk:

For the installation of the board, the board must be connected and adjusted to foreign components according to the device paperwork. This work can only be done by qualified personnel, which read the full device paperwork and understand it.

Operating risk:

The Change or the operation under special conditions of the installed systems/components could as well as hidden defects cause to breakdown within the running time.

Misusage risk:

Any nonstandard use could cause incalculable risks and is not allowed.

Warning: It is not allowed to use the device in an operation, where the safety of persons depend on this device.



DMX4ALL GmbH
Reiterweg 2A
D-44869 Bochum
Germany

Last changes: 15.02.2023

© Copyright DMX4ALL GmbH

All rights reserved. No part of this manual may be reproduced in any form (photocopy, pressure, microfilm or in another procedure) without written permission or processed, multiplied or spread using electronic systems. All information contained in this manual was arranged with largest care and after best knowledge. Nevertheless, errors are to be excluded not completely. It is pointed out that neither a guarantee nor the legal responsibility or any liability for consequences which are due to incorrect information is assumed. This document does not contain assured characteristics. The guidance and the features may be changed at any time and without previous announcement.