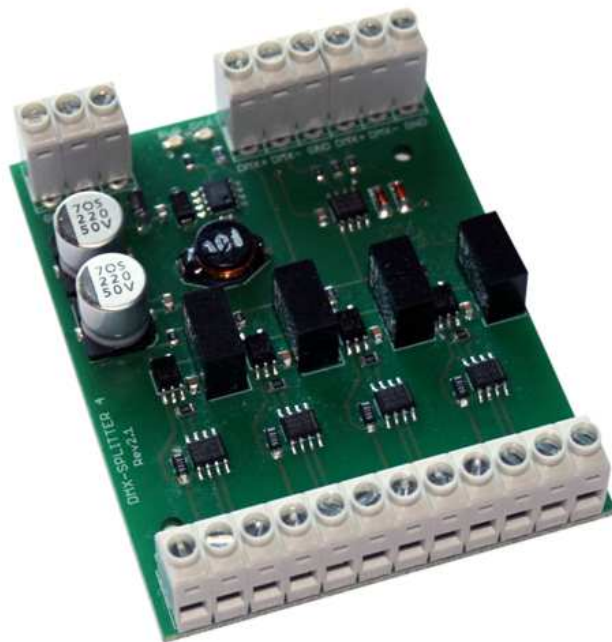


DMX-Splitter 4

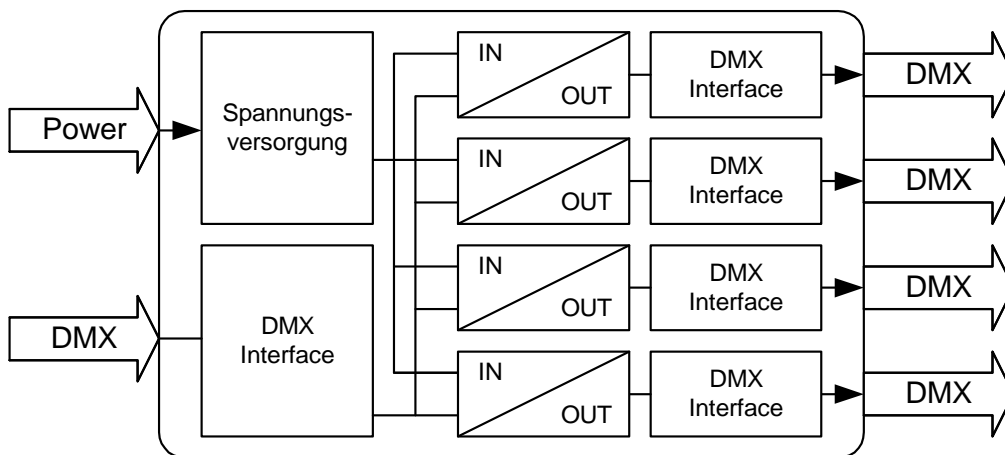
User Manual



Description

The **DMX-Splitter 4** is a compact DMX-Divider with one DMX-Input signal which provides these at four galvanically isolated outputs.

- Power supply via one power supply unit
- Compact design for top hat rail mounting
- Extremely light construction
- LED-Display Code



Power supply via one power supply unit

The power supply occurs via one power supply unit. The voltage range is between 8V up to 24V.

Compact design for top hat rail mounting

The DMX-Splitter 4 is suitable for installation in top hat rail mountings with a width of 7cm due to its small size.

Extremely light construction

Extremely light DC/DC converters are used for galvanic isolation.

LED-Display

Two LEDs show clearly the current operation mode.

Data Sheet

Power supply:	8-24V DC (150mA@12V; 90mA@24)
DMX Input:	1x Connection via screw clamps
DMX Thru:	1x Connection via screw clamps
DMX Output:	4x Galvanically isolated Connection via screw clamps
Dimension:	64mm x 82mm

LED-Display

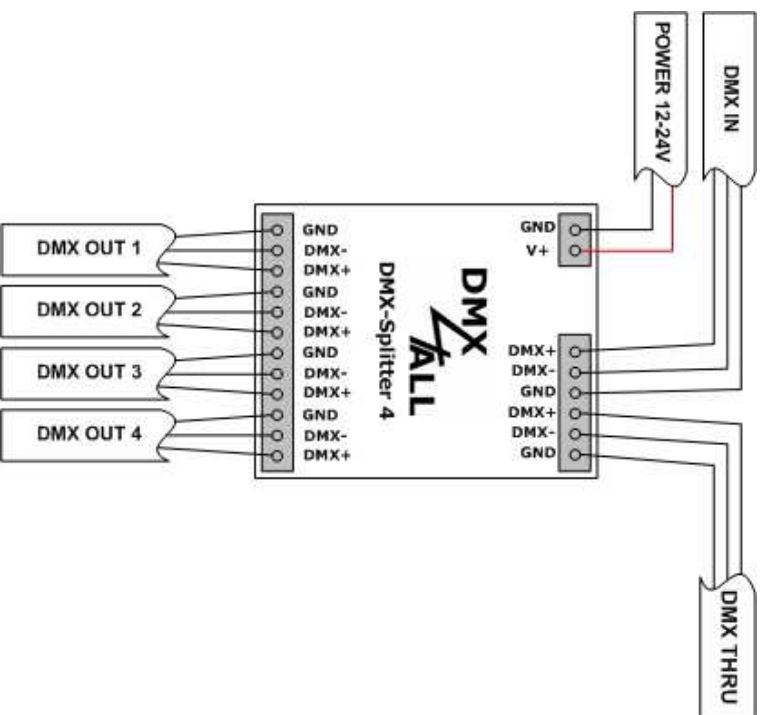
LED green

The green LED lights up as soon as operation voltage is connected.

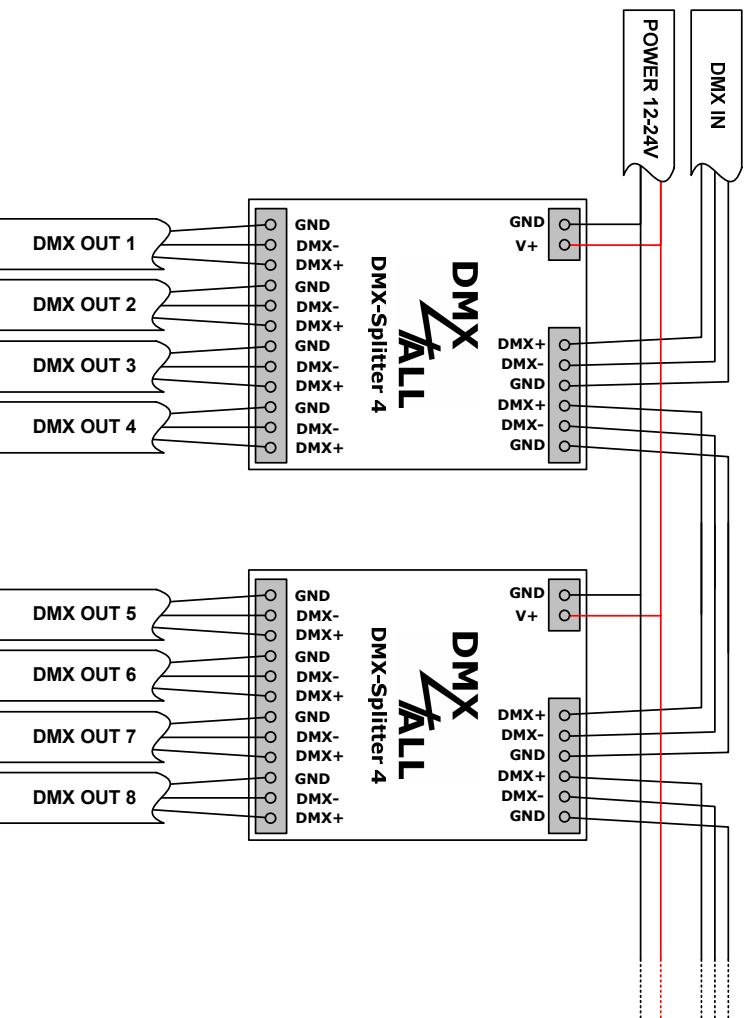
LED yellow

The yellow LED lights up as soon as a DMX signal is connected to DMX-IN.

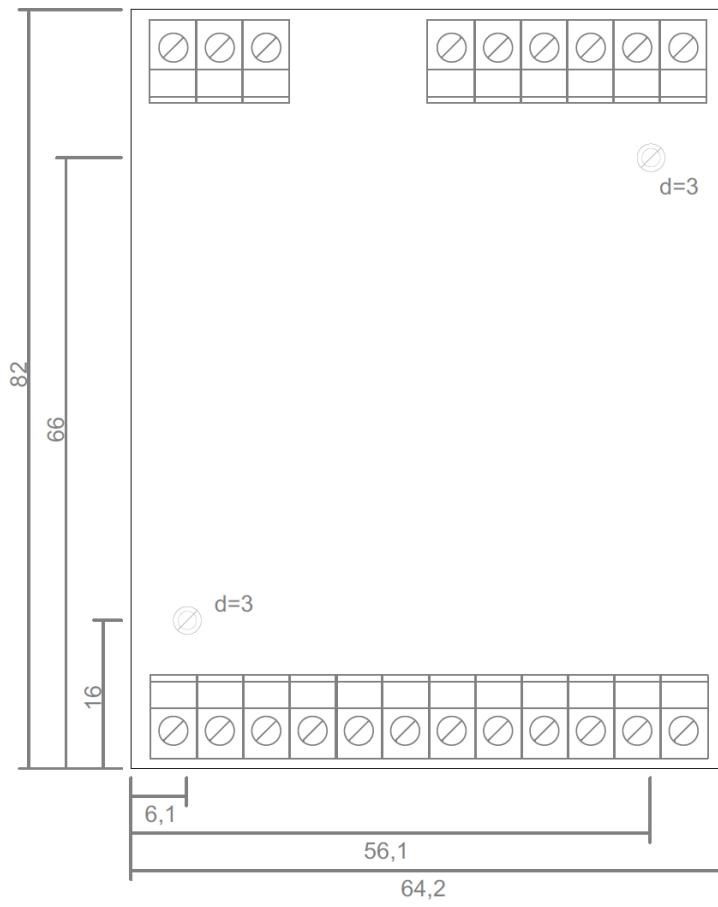
Connection



If more than 4 DMX-Outputs are needed, several DMX-Splitter 4 can be combined as follows:



Dimensions



All details in mm

Accessories

Top hat rail mounting 700



Power supply 12V / 20W



CE-Conformity



This assembly (board) is controlled by a microprocessor and uses high frequency. In order to maintain the properties of the module with regard to CE conformity, installation into a closed metal housing in accordance with the EMC directive 2014/30/EU is necessary.

Risk-Notes

You purchased a technical product. Conforming to the best available technology the following risks should not be excluded:

Failure risk: The device can drop out partially or completely at any time without warning. To reduce the probability of a failure a redundant system structure is necessary.

Initiation risk: For the installation of the board, the board must be connected and adjusted to foreign components according to the device paperwork. This work can only be done by qualified personnel, which read the full device paperwork and understand it.

Operating risk: The change or the operation under special conditions of the installed systems/components could as well as hidden defects cause a breakdown within the running time.

Misusage risk: Any nonstandard use could cause incalculable risks and is not allowed.

Warning: It is not allowed to use the device in an operation, where the safety of persons depends on this device.

Disposal



Electrical and electronic products must not be disposed of in domestic waste. Dispose the product at the end of its service life in accordance with applicable legal regulations. Information on this can be obtained from your local waste disposal company.



DMX4ALL GmbH
Reiterweg 2A
D-44869 Bochum
Germany

Last changes: 02.07.2018

© Copyright DMX4ALL GmbH

All rights reserved. No part of this manual may be reproduced in any form (photocopy, pressure, microfilm or in another procedure) without written permission or processed, multiplied or spread using electronic systems. All information contained in this manual was arranged with the greatest care and after the best knowledge. Nevertheless, errors are to be excluded not completely. It is pointed out that neither a guarantee nor the legal responsibility or any liability for consequences which are due to incorrect information is assumed. This document does not contain assured characteristics. The guidance and the features may be changed at any time and without previous announcement.