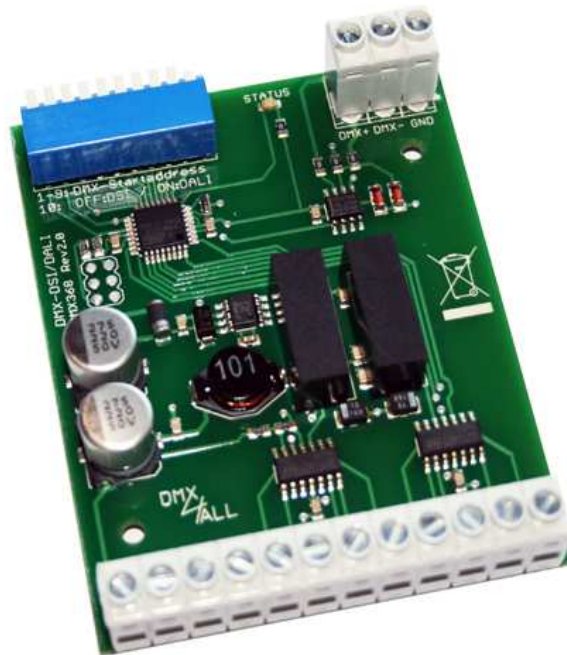


DMX-DSI/DALI 8

User Manual



DMX [®]
ALL



For your own safety, please read this user manual and warnings carefully before installation.

Description

With this **DMX-DSI/DALI-Interface 8** it is possible to control up to 8 DALI or DSI capable Electronic Ballasts.

The following EVGs are recommended:

PCA 1/18 ALL4ONE (Tridonic)

PCA 1/36 ALL4ONE (Tridonic)

PCA 1/58 ALL4ONE (Tridonic)

Data sheet

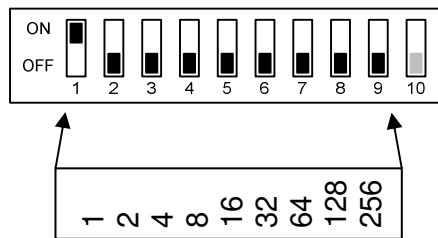
Power supply:	12-24V DC / 100mA
Protocol:	DMX512
DMX channel:	8
DMX-FAIL:	HOLD
Output:	8x DSI or DALI BROADCAST-Output
Connection:	Screw terminal
Dimension:	64,2mm x 82mm

DMX-Start address

The starting address is adjustable via the DIP-Switches.

Switch 1 has the valency 2^0 (=1), switch 2 has the valency 2^1 (=2) and so on... finally switch 9 has the valency 2^8 (=256).

The sum of values of the switches showing ON represents the start address.



The shift between DALI and DSI output signal happens via switch 10:

Switch10 ON: DALI output signal
Switch10 OFF: DSI output signal

LED-Display

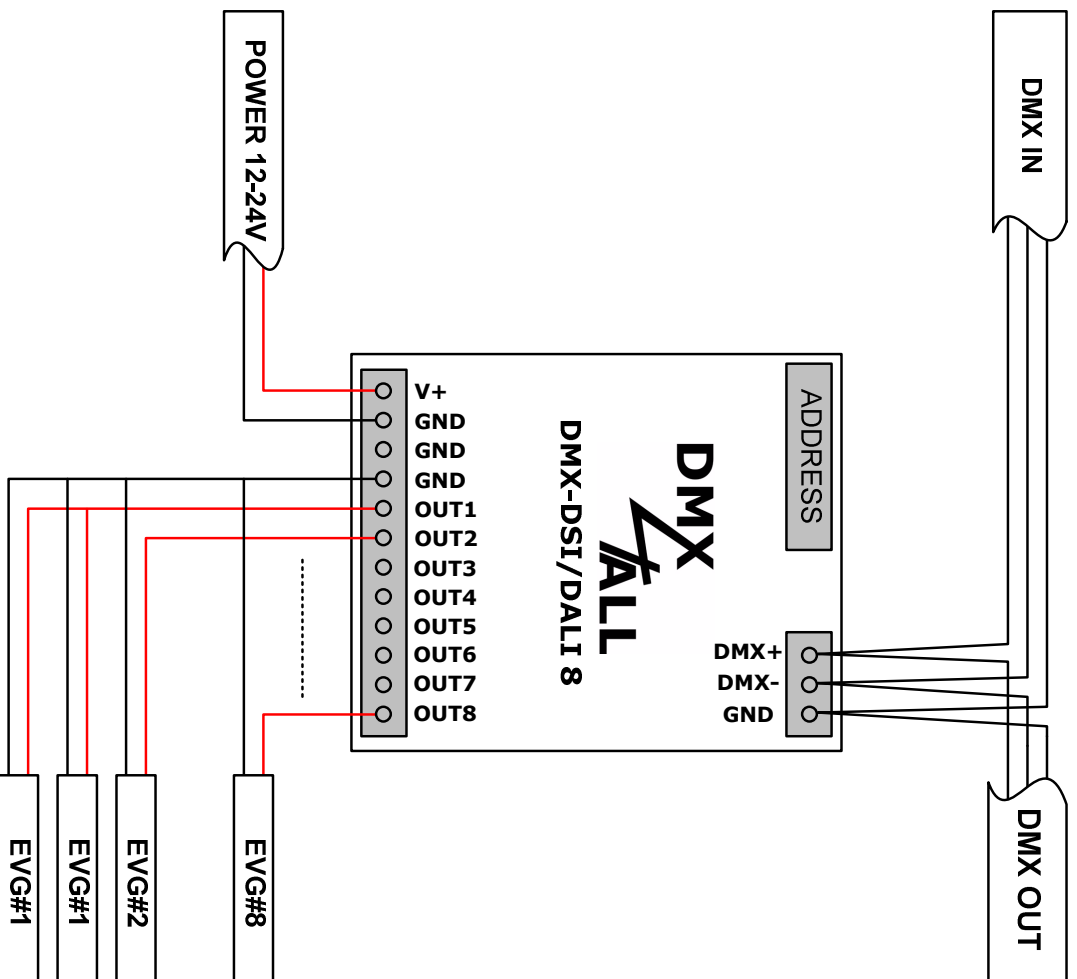
The integrated LED is a multifunctional display.

The LED lights non-stop in normal operation. In this case the device is working.

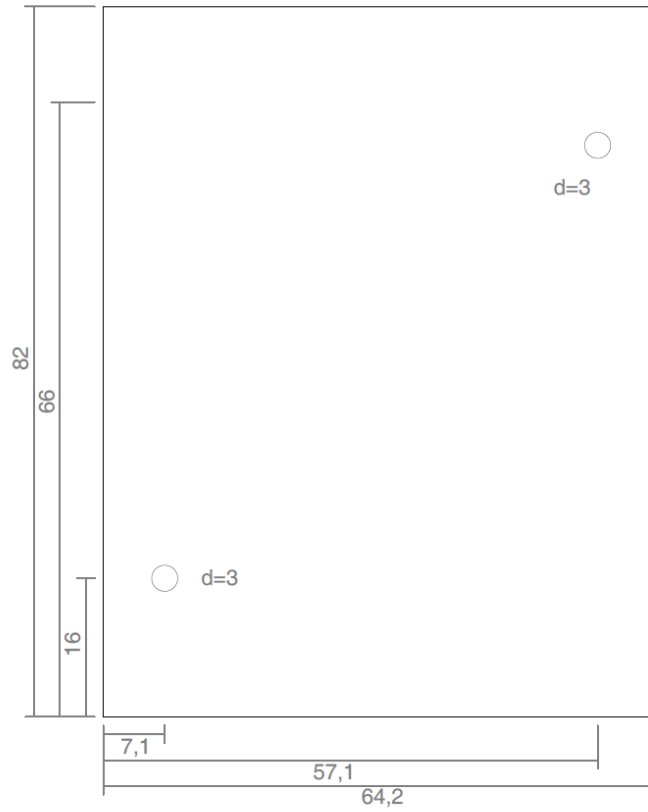
Also, the LED signals the operation status. In this case the LED lights up in short pitches and then turns into off modus. The number of flashing signals is equal to the number of the error status:

Error Status	Error	Description
1	No DMX	No DMX signal is detected.
2	Address error	Please check if a valid DMX start address is adjusted via the DIP-switch.

Connection



Dimensions



all details in mm

Accessories

Housing for DIN-rail mounting 700



Power supply 12V / 20W

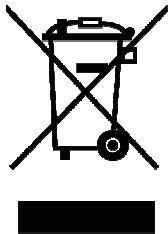


CE-Conformity



This assembly (board) is controlled by a microprocessor and uses high frequency. In order to maintain the properties of the module with regard to CE conformity, installation into a closed metal housing in accordance with the EMC directive 2014/30/EU is necessary.

Disposal



Electronical and electronic products must not be disposed in domestic waste. Dispose the product at the end of its service life in accordance with applicable legal regulations. Information on this can be obtained from your local waste disposal company.

Warning



This device is no toy. Keep out of the reach of children. Parents are liable for consequential damages caused by nonobservance for their children.

Risk-Notes



You purchased a technical product. Conformable to the best available technology the following risks should not be excluded:

Failure risk:

The device can drop out partially or completely at any time without warning. To reduce the probability of a failure a redundant system structure is necessary.

Initiation risk:

For the installation of the board, the board must be connected and adjusted to foreign components according to the device paperwork. This work can only be done by qualified personnel, which read the full device paperwork and understand it.

Operating risk:

The Change or the operation under special conditions of the installed systems/components could as well as hidden defects cause to breakdown within the running time.

Misusage risk:

Any nonstandard use could cause incalculable risks and is not allowed.

Warning: It is not allowed to use the device in an operation, where the safety of persons depend on this device.



DMX4ALL GmbH
Reiterweg 2A
D-44869 Bochum
Germany

Last changes: 03.05.2021

© Copyright DMX4ALL GmbH

All rights reserved. No part of this manual may be reproduced in any form (photocopy, pressure, microfilm or in another procedure) without written permission or processed, multiplied or spread using electronic systems.

All information contained in this manual was arranged with the greatest care and after the best knowledge. Nevertheless, errors are to be excluded not completely. It is pointed out that neither a guarantee nor the legal responsibility or any liability for consequences which are due to incorrect information is assumed. This document does not contain assured characteristics. The guidance and the features may be changed at any time and without previous announcement.