

# DMX-Addressmodule

User Manual



**DMX** <sup>®</sup>  
**4**  
**ALL**

## Description

The DMX-Addressmodule is a helpful additional module which will be grinded in the DMX-Line.

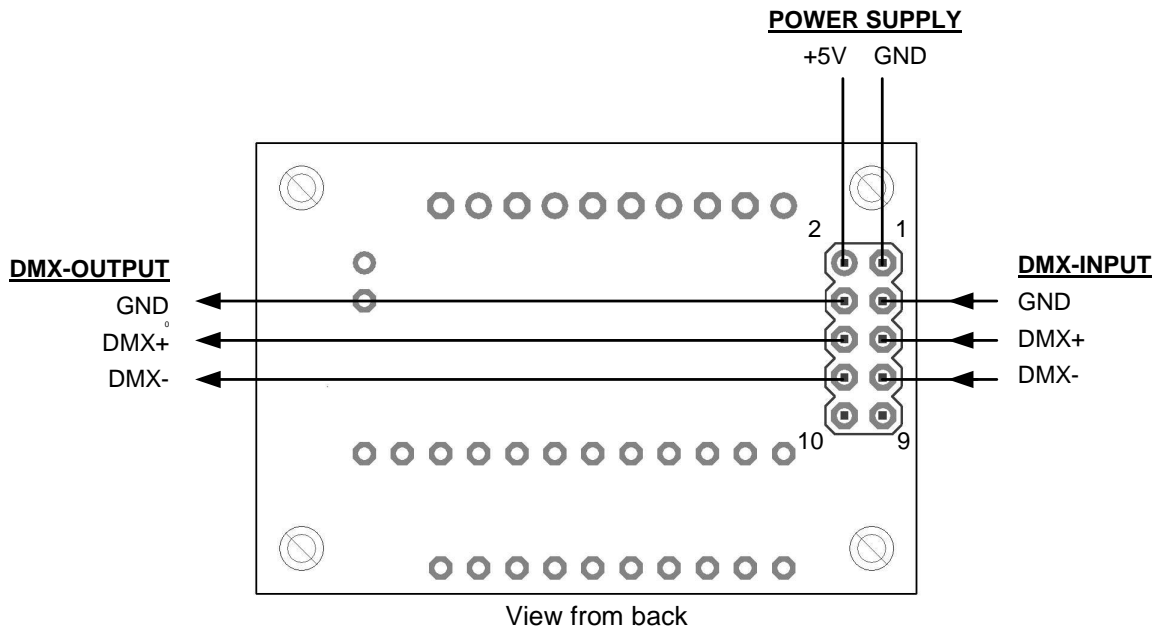
The DMX-Channels can be shift down within the DMX-Universe (shiften).

The usage occurs via three segment adjuster which adjust the DMX-Address of downstream devices.

## Data Sheet

<b>Power supply:</b>	5V DC / 50mA
<b>DMX-Input:</b>	512 Channels
<b>DMX-Output:</b>	up to 512 Channel
<b>DMX-Output LOAD:</b>	Driver for 32 devices (LOAD-UNITs)
<b>Signal time:</b>	ca. 0,1µs
<b>Dimensions:</b>	30mm x 45mm

## Connection



PIN	FUNCTION	PIN	FUNCTION
1	GND	2	+5V
3	GND	4	GND
5	DMX+ IN	6	DMX+ OUT
7	DMX- IN	8	DMX- OUT
9	---	10	---

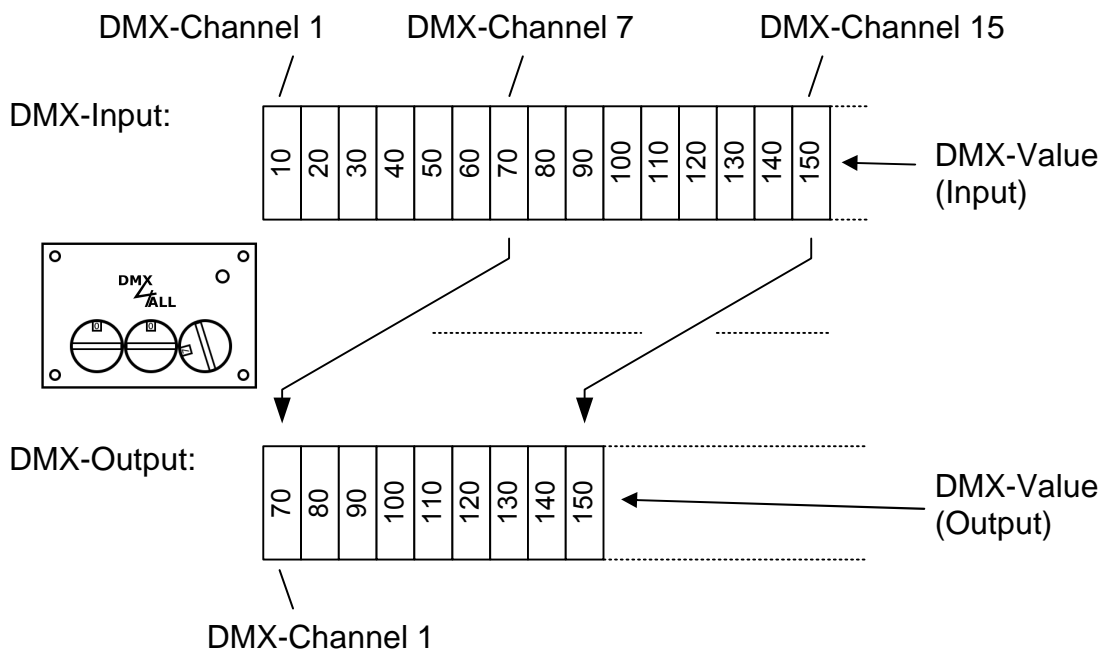
## Functional Description

By using the DMX-Adressmodul the DMX-Channels are pushed down within the universe.

By turning the segments the range 1 up to 512 is set.

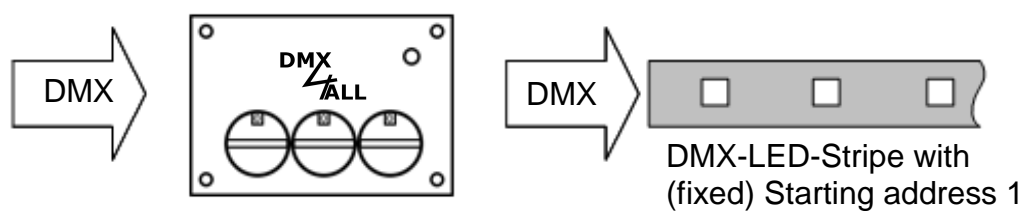
DMX-Channels from the DMX-Input are pushed down by the set value less 1 and then outputted at the DMX-Output.

### Example with setting „0 0 7“:



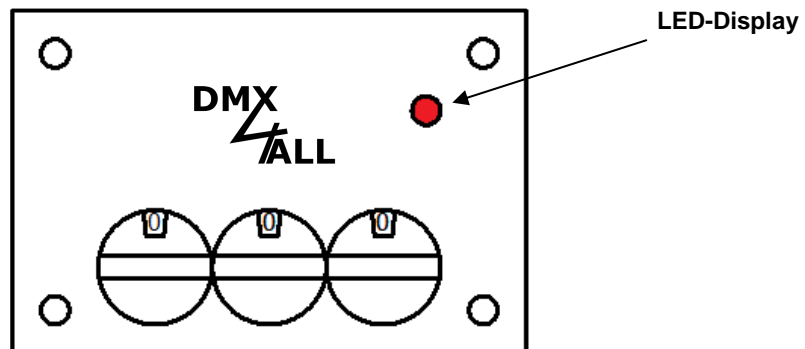
### Application example

The DMX-Adressmodul serves for setting the starting address of a connected device, described in the example with a DMX-LED-Stripe. Therefore the starting address must set to 1.



## LED-Display

The integrated LED is a multifunctional display.

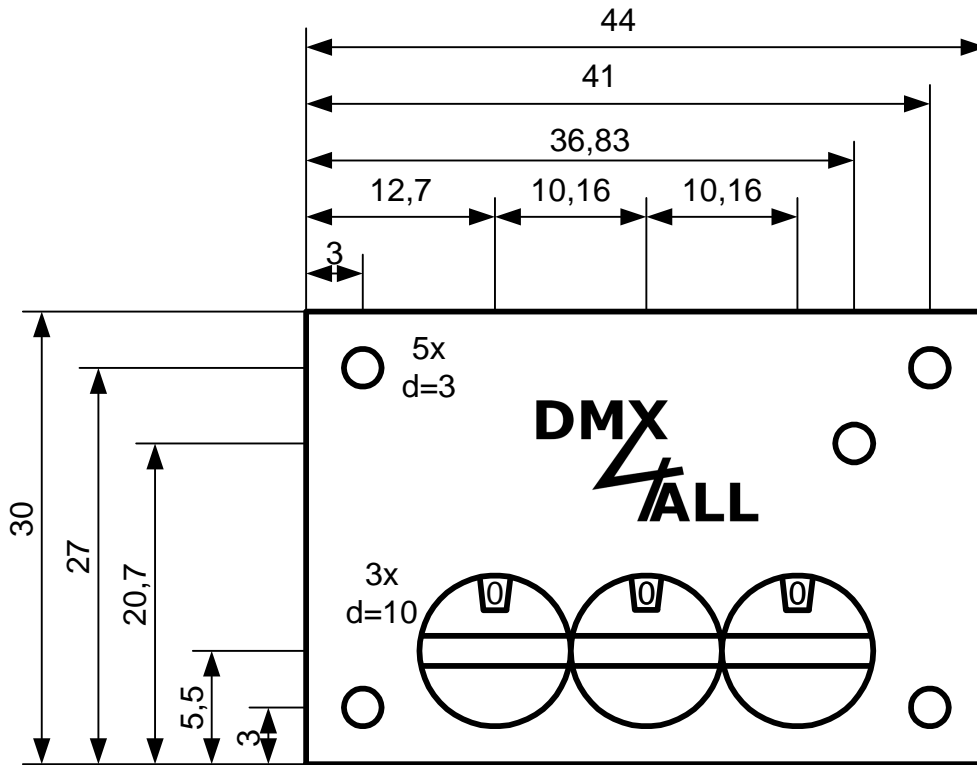


During the operation mode the LED lights permanently. In this case the device is working.

Furthermore the events are signaled via the LED. In this case the LED lights up in short pitches and then remains off for a longer time. The number of light impulses represents the event number:

Error Number	Error	Description
1	No DMX	No DMX-Signal is connected to the DMX-Input
2	Address error	Please check the set DMX-Address
3	DMX-Signal error	An invalid DMX-Input Signal is detected

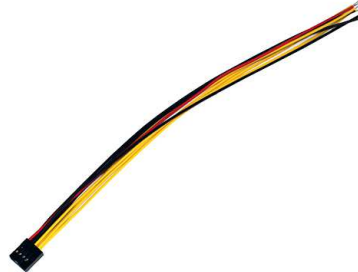
## Dimensions



All details in mm

## Accessories

**Cable Set D for DMX-Address Module**  
Art.-No.: 11-2024



## CE-Conformity



This assembly is controlled by a microprocessor and uses high frequency. In order to maintain the properties of the module with regard to CE conformity, installation into a closed metal housing in accordance with the EMC directive 2014/30/EU is necessary.

## Risk-Notes

You purchased a technical product. Conformable to the best available technology the following risks should not be excluded:

### Failure risk:

The device can drop out partially or completely at any time without warning. To reduce the probability of a failure a redundant system structure is necessary.

### Initiation risk:

For the installation of the board, the board must be connected and adjusted to foreign components according to the device paperwork. This work can only be done by qualified personnel, which read the full device paperwork and understand it.

### Operating risk:

The Change or the operation under special conditions of the installed systems/components could as well as hidden defects cause to breakdown within the running time.

### Misusage risk:

Any nonstandard use could cause incalculable risks and is not allowed.

**Warning:** It is not allowed to use the device in an operation, where the safety of persons depend on this device.

## Disposal



Electronical and electronic products must not be disposed in domestic waste. Dispose the product at the end of its service life in accordance with applicable legal regulations. Information on this can be obtained from your local waste disposal company.





DMX4ALL GmbH  
Reiterweg 2A  
D-44869 Bochum  
Germany

Last changes: 27.07.2018

© Copyright DMX4ALL GmbH

All rights reserved. No part of this manual may be reproduced in any form (photocopy, pressure, microfilm or in another procedure) without written permission or processed, multiplied or spread using electronic systems.

All information contained in this manual was arranged with the greatest care and after the best knowledge. Nevertheless, errors are to be excluded not completely. For this reason, I see myself compelled to point out that I can take over neither a warranty nor the legal responsibility or any liability for consequences, which decrease/go back to incorrect data. This document does not contain assured characteristics. The guidance and the characteristics can be changed at any time and without previous announcement.