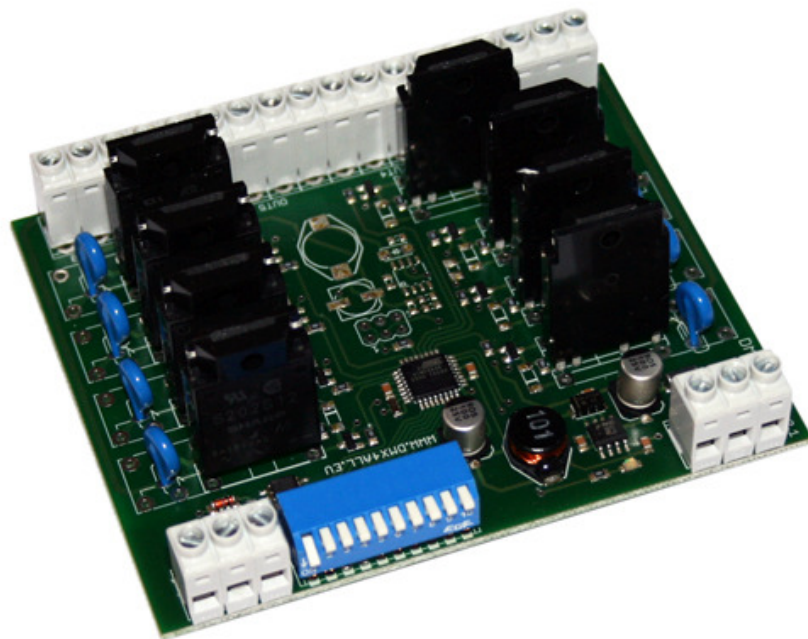


DMX-Relaisinterface 8 SSR

User Manual



DMX [®]
4
ALL

Description

The **DMX-Relaisinterface 8 SSR** has 8 floating outputs (make contact) controllable via DMX.

Energy Saving Design:

Based on modern switching mode technology less warmth is generated and therefore the energy consumption will be reduced.

Technical Data

Voltage supply	7-24V DC / 100mA
DMX-Channels	8
Outputs	8 SSR-switching outputs (make contact) max. 2A / 250V~
SolidState-Relais (SSR)	S202S12
Board Dimensions	99mm x 82mm

LED-Display-Codes

The integrated green LED is a multifunction-display.

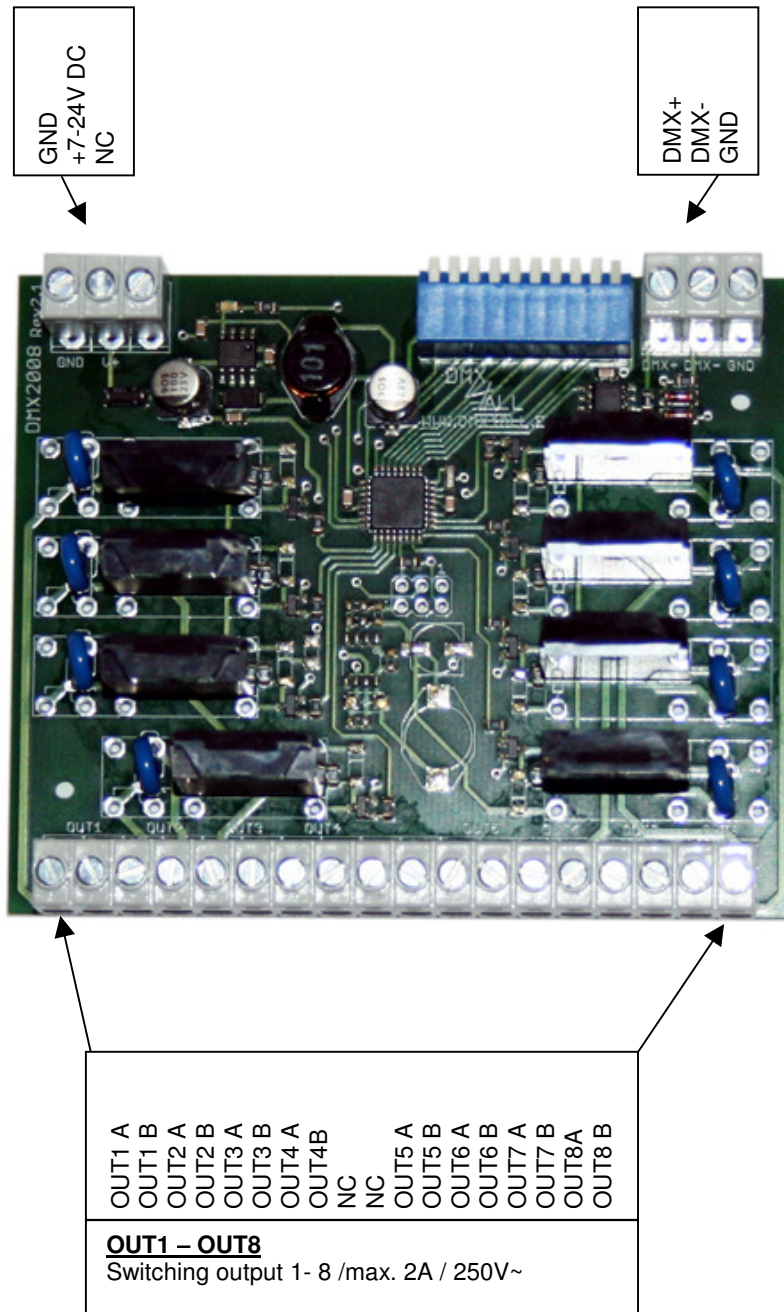
In the normal operation mode the LED flashes permanent. In this case the device is working. If the LED is permanently dark, no DMX512-signal is detected.

Furthermore the events are signalled about the green LED. In this case the LED lights up in short pitches and then is dark for a longer time.

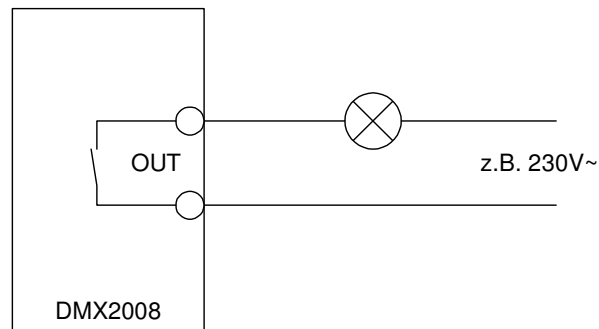
The number of the flashing impulses corresponds with the event number.

Event-number	Error	Description
2	Addressing error	Please check the adjusted DMX address
3	DMX-signal error	An invalid DMX-input-signal was noticed. Exchange the signal lines on pin 2 & 3 or use a twisted pair wire.

Connecting the Interface



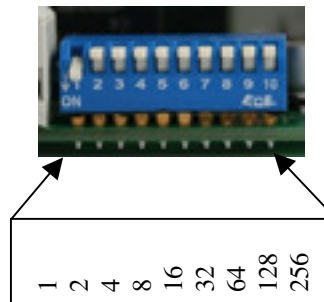
Connecting the consumer



Addressing

The starting address is adjustable via the switches 1 to 9.

Switch 1 has the valency 2^0 (=1), switch 2 the valency 2^1 (=2) and so on ... finally switch 9 has the valency 2^8 (=256). The sum of the switches standing on ON correspond with the start address.



CE-conformity



This assembly (board) is controlled by a microprocessor and uses high frequency (8MHz). To get the characteristics of the assembly in relation to the CE-conformity, an installation in a compact metal casing is necessary.

Risk-Notes

You purchased a technical product. Conformable to the best available technology the following risks should not be excluded:

Failure risk: The device can drop out partially or completely at any time without warning. To reduce the probability of a failure a redundant system structure is necessary.

Initiation risk: For the installation of the board, the board must be connected and adjusted to foreign components according to the device paperwork. This work can only be done by qualified personnel, which read the full device paperwork and understand it.

Operating risk: The Change or the operation under special conditions of the installed systems/components could as well as hidden defects cause to breakdown within the running time.

Misusage risk: Any nonstandard use could cause incalculable risks and is not allowed.

Warning: It is not allowed to use the device in an operation, where the safety of persons depend on this device.



DMX4ALL GmbH
Reiterweg 2A
D-44869 Bochum
Germany

© Copyright 2013 DMX4ALL GmbH

All rights reserved. No part of this manual may be reproduced in any form (photocopy, pressure, microfilm or in another procedure) without written permission or processed, multiplied or spread using electronic systems.

All information contained in this manual was arranged with largest care and after best knowledge. Nevertheless errors are to be excluded not completely. For this reason I see myself compelled to point out that I can take over neither a warranty nor the legal responsibility or any adhesion for consequences, which decrease/go back to incorrect data. This document does not contain assured characteristics. The guidance and the characteristics can be changed at any time and without previous announcement.